


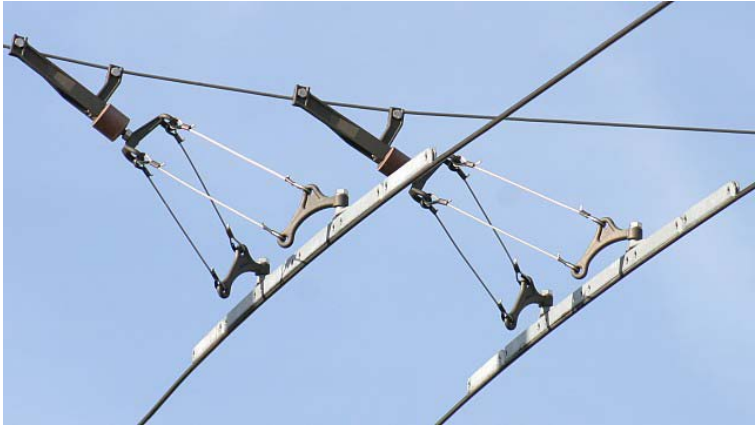
operation speed – indicative values

	<p>60 cm / l.</p> <p>2° – 3°</p>	<p>2° / 60 kmph</p> <p>3° / 50 kmph</p>	<p>Clamp No. 249231</p> <p>Complete example: TB-1Na TB-1Ga TB-1Xa</p>
	<p>90 cm / l.</p> <p>3° - 4°</p>	<p>3° / 55 kmph</p> <p>4° / 45 kmph</p>	<p>Clamp No. 249232</p> <p>Complete example: TB-1Nb TB-1Gb TB-1Xb</p>
	<p>120 cm / l.</p> <p>3° - 6°</p>	<p>3° / 60 kmph</p> <p>4° / 50 kmph</p> <p>5° / 45 kmph</p> <p>6° / 30 kmph</p>	<p>Clamp No. 249233</p> <p>Complete example: TB-1Nc TB-1Gc TB-1Xc</p>

NOTE!

Operation speeds are for information only and producer has any guaranty concerning speed. Speed might be lower or higher depending on various aspects, The biggest influence on speed have: subordination on contact line before the clamp, street surface quality, type of used collectors (steel made, aluminum made, plastic made), collectors push-up force (7 -15 kg), collectors length (4-6m), mechanical tension within the contact wire (compensated or no compensated line 6 – 12 kN),

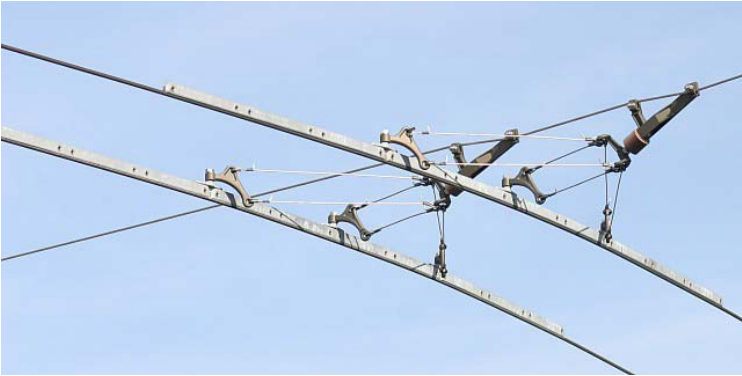
operation speed – indicative values

	180 cm / II. 4° - 10°	4° / 60 kmph 5° / 50 kmph 6° / 45 kmph 7° / 40 kmph 8° / 35 kmph 9° / 30 kmph 10° / 30 kmph	Clamp No. 249234 Complete example: TB-1Nd TB-1Gd TB-1Xd
	240 cm / II. 7° - 15°	7° / 45 kmph 8 - 9° / 40 kmph 10 - 13° / 35 kmph 14 - 15° / 30 kmph	Clamp No. 249235 Complete example: TB-1Ne TB-1Ge TB-1Xe

NOTE!

Operation speeds are for information only and producer has any guaranty concerning speed. Speed might be lower or higher depending on various aspects, The biggest influence on speed have: subordination on contact line before the clamp, street surface quality, type of used collectors (steel made, aluminum made, plastic made), collectors push-up force (5 -15 kg), collectors length (4-6m), mechanical tension within the contact wire (compensated or no compensated line 6 – 12 kN)

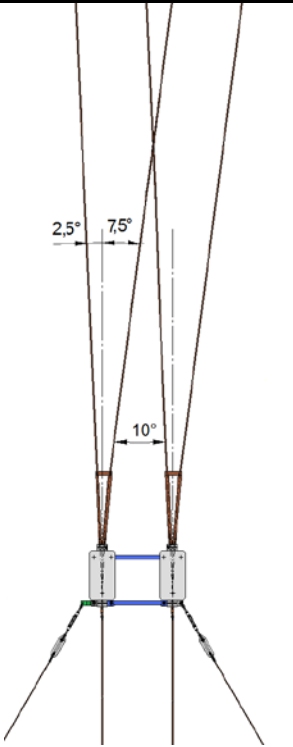
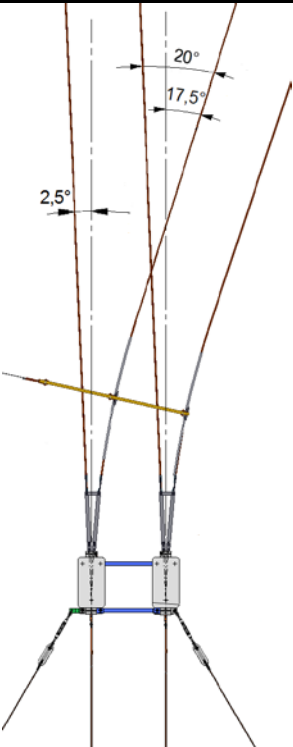
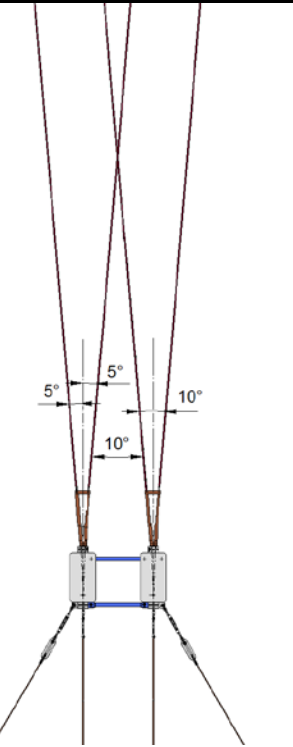
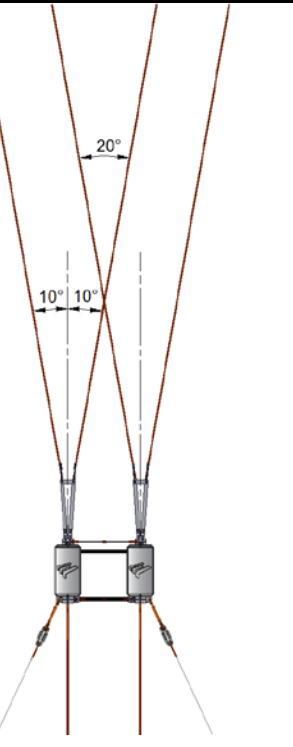
operation speed – indicative values

	<p>240 cm / III.</p> <p>10° - 30°</p>	<p>10° - 12° /35 kmph</p> <p>12° - 17° /30-20 kmph</p> <p>18° - 24° /20-15 kmph</p> <p>25° - 30° /15 kmph</p>	<p>Clamp No. 249236</p> <p>Complete example: TB-1Nf TB-1Gf TB-1Xf</p>
	<p>300 cm / III.</p> <p>10° - 30°</p>	<p>10° - 12° /40 kmph</p> <p>12° - 17° /35-25 kmph</p> <p>18° - 24° /25-20 kmph</p> <p>25° - 30° /20 kmph</p>	<p>Clamp No. 249237</p> <p>Complete example: TB-1Ng TB-1Gg TB-1Xg</p>

NOTE!


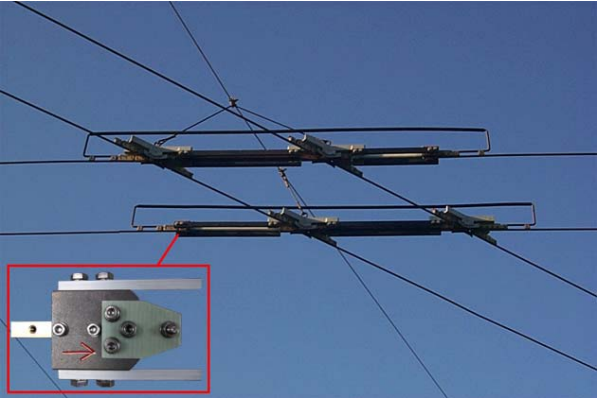
Operation speeds are for information only and producer has any guaranty concerning speed. Speed might be lower or higher depending on various aspects, The biggest influence on speed have: subordination on contact line before the clamp, street surface quality, type of used collectors (steel made, aluminum made, plastic made), collectors push-up force (5 -15 kg), collectors length (4-6m), mechanical tension within the contact wire (compensated or no compensated line 6 – 12 kN)

operation speed – indicative values

			
<p style="text-align: center;">2,5° / 7,5° 50 / 40 kmph</p>	<p style="text-align: center;">2,5° / 17,5° 50 / 30 kmph</p>	<p style="text-align: center;">5° / 5° 45 / 45 kmph</p>	<p style="text-align: center;">10° / 10° 40 / 40 kmph</p>

NOTE! Operation speeds are for information only and producer has any guaranty concerning speed. Speed might be lower or higher depending on various aspects. The biggest influence on speed have: subordination on contact line before the switch point, street surface quality, type of used collectors (steel made, aluminum made, plastic made), collectors push-up force (5 -15 kg), collectors length (4-6m), mechanical tension within the contact wire (compensated or no compensated line 6 – 12 kN)

operation speed – indicative values

	<p style="text-align: center;">TB x TB</p> <p style="text-align: center;">20° - 30°</p>	<p style="text-align: center;">50 kmph</p>	<p style="text-align: center;">Clamp No. 262120 262125 262130</p>
	<p style="text-align: center;">TB x TB</p> <p style="text-align: center;">35° - 90°</p>	<p style="text-align: center;">50 kmph</p>	<p style="text-align: center;">Clamp No. 262135 262140 262145 262150 262155 262160 262165 262170 262175 262180 262185 262190</p>

NOTE! Operation speeds are for information only and producer has any guaranty concerning speed. Speed might be lower or higher depending on various aspects. The biggest influence on speed have: subordination on contact line before the crossing, street surface quality, type of used collectors (steel, aluminum or plastic made), collectors push-up force (5 -15 kg), collectors length (4-6m), mechanical tension within the contact wire (compensated or non compensated line 6 – 12 kN)